

SGA – 64G MICROSD CARD DATASHEET

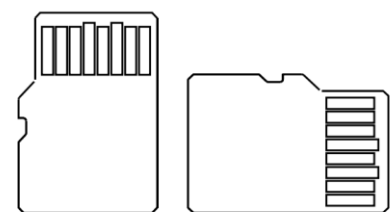


Main Description

SGA - 64G MicroSD card is a flash memory card that combines ordered and random access capabilities. It effectively performs fast and reliable data transmission through a dedicated serial interface. This interface allows several cards to be directly applied by connecting external devices. These cards are fully compatible with some new consumer standards. The definition of the SGA - 64G card system standard will be included in the system description of the SGA - 64G card. This card system is a large capacity storage system based on semiconductor technology innovation. It has developed into a low-cost and sturdy storage medium for multimedia consumer products. The SGA - 64G card is suitable for the design of inexpensive players and drives, without moving any part. It has low power consumption and a wide voltage range that supports mobility. It can be used in audio players, laptops, handheld computers, e-books, electronic encyclopedias, electronic dictionaries and camera. It is used for very effective data compression solutions. For example, in MPEG format, the SGA - 64G card will provide sufficient capacity for multimedia data transmission.

Features

- Compatible with MicroSD card version 2.0 specifications
- The first part of the physical layer specification is version 2.0 (Function, electronic characteristics, Registers)
- Automatic correction of card errors
- Voltage transmission range: 2.7~3.6V
- Low power consumption: Automatically switch on and off the power supply, automatically manage the power supply
- No additional operating voltage is required
- Inserting or removing the card during charging will not cause damage
- Data tension: 100k write/erase cycle
- Easy for end customers to handle
- Reliable electronic structure
- Support for text information and images
- Area: 11mm (W) x 15mm (L)
- The thickness spans the connecting area by 7mm; The thickness of the card is 0.95mm
- The slot of the SGA - 64G MicroSD card can be used to connect to the adapter



Format of MICROSD card

Table 1. Product Details (Characteristic Values)

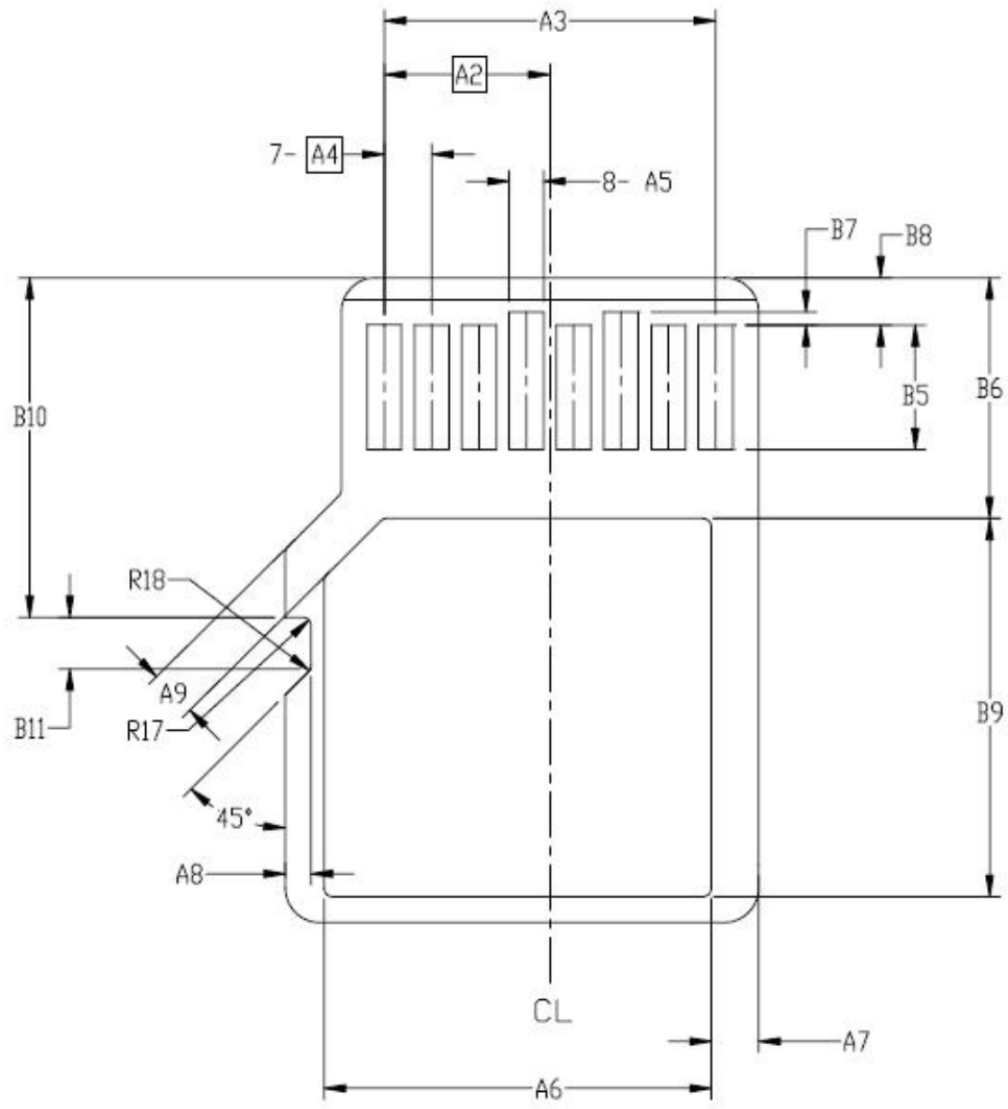
Parameter	Range
Description	SGA – 64G MicroSD card
Capacity	64GB
Product Standards	MicroSD 2.0
Reading Speed	85MB/s
Writing Speed	40MB/s
File system	exFAT
Standby Current	60 uA
Operating Current	55 mA
Mean Time Between Failure	1,000,000 hours
Strain	10,000 Insert/Remove Cycle
Controller	SK6612

*Test conditions 2.66G CPU, 256MB DDR, winXP OS, GL819 Card Reader, Voltage 3.3V.

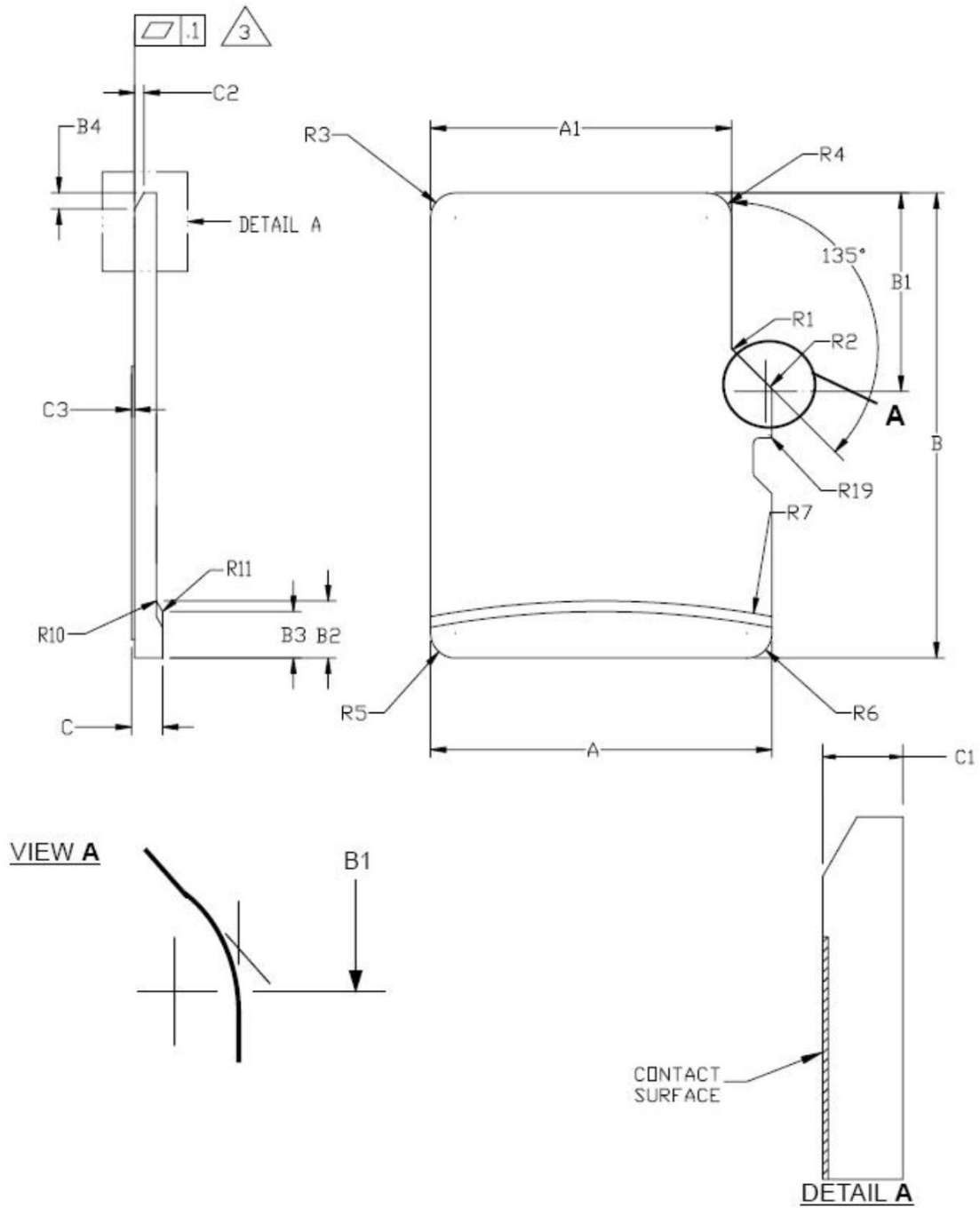
Table 2. Operating Environment

Parameter	Range	
Temperature	Operating Mode	-25°C to 65°C
	Storage Mode	-40°C to 85°C
Humidity	Operating Mode	8% to 95%, non-condensing
	Storage Mode	8% to 95%, non-condensing

Figure 1. Physical Structure Diagram



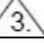
Bottom View



Top View

SYMBOL	COMMON DIMENSIONS			NOTE
	MIN	NOM	MAX	
A	10.90	11.00	11.10	
A1	9.60	9.70	9.80	
A2	-	3.85	-	BASIC
A3	7.60	7.70	7.80	
A4	-	1.10	-	BASIC
A5	0.75	0.80	0.85	
A6	-	-	8.50	
A7	0.90	-	-	
A8	0.60	0.70	0.80	
A9	0.80	-	-	
B	14.90	15.00	15.10	
B1	6.30	6.40	6.50	
B2	1.64	1.84	2.04	
B3	1.30	1.50	1.70	
B4	0.42	0.52	0.62	
B5	2.80	2.90	3.00	
B6	5.50	-	-	
B7	0.20	0.30	0.40	
B8	1.00	1.10	1.20	
B9	-	-	9.00	
B10	7.80	7.90	8.00	
B11	1.10	1.20	1.30	
C	0.90	1.00	1.10	
C1	0.60	0.70	0.80	
C2	0.20	0.30	0.40	
C3	0.00	-	0.15	
D1	1.00	-	-	
D2	1.00	-	-	
D3	1.00	-	-	
R1	0.20	0.40	0.60	
R2	0.20	0.40	0.60	
R3	0.70	0.80	0.90	
R4	0.70	0.80	0.90	
R5	0.70	0.80	0.90	
R6	0.70	0.80	0.90	
R7	29.50	30.00	30.50	
R10	-	0.20	-	
R11	-	0.20	-	
R17	0.10	0.20	0.30	
R18	0.20	0.40	0.60	
R19	0.05	-	0.20	

Notes:

1. DIMENSIONING AND TOLERANCING PER ASME Y14.5M-1994.
2. DIMENSIONS ARE IN MILLIMETERS.
3.  COPLANARITY IS ADDITIVE TO C1 MAX THICKNESS.

Ordering Information

Item	Remarks
SGA – 64G	SGA – 64G MicroSD card

*Product specifications and availability are subject to change without notice.